

# GoLong

## 公司簡介 History & Profile

臺灣川浩企業股份有限公司(原國隆工業社)創立於1972年，位於臺灣省彰化市，註冊金額新臺幣500萬元。專業織帶，主要產品有汽車安全帶，休閒椅帶，廠房占地面積400坪。機器設施有織帶機1台，整紗機1台，年營業額新臺幣3000萬元。因公司業務發展需要，復於1976年更名為川浩企業股份有限公司。註冊金額新臺幣2000萬元。專業生產汽車安全帶，貨物拉緊帶等，廠房占地面積1200坪。年營業額為300萬美元。生產設備有自動沖床、數位銑床、數位鑽床、電腦縫紉機、熱處理機和精確的檢測設備（拉力測試機、硬度測試機）。

Good Success Corp. was established in 1972 in Changhwa, Taiwan and has been a specialized manufacturer in car seat belts, Ratchet Tie Downs and Tow Straps...etc, Occupying a land space of more than 50000 sq. ft. and equipped with a modern fleet of strapping machines, Yarn Spinning machines, auto milling machines, digital drilling machine, computerized sewing machine and our annual revenue is in excess of US\$10 millions. We also have our testing machines in tension and harness.

1976

5月1日設立,生產安全帶及各種帶類.  
May. Established to supply safety belts and straps.

1978

安全帶及帶扣,金屬配件生產開始.  
Safety Belts with buckles.

1980

開始供應美國VAN汽車之配套(OEM)取得FMVSS 209 合格認證.  
OEM for vans in USA and passed FMVSS 209

1992

與大陸蛇口交通科技配合,銷售國內之汽車安全帶共50萬條.  
supplied 500000 safety belts to China Communication Corp.

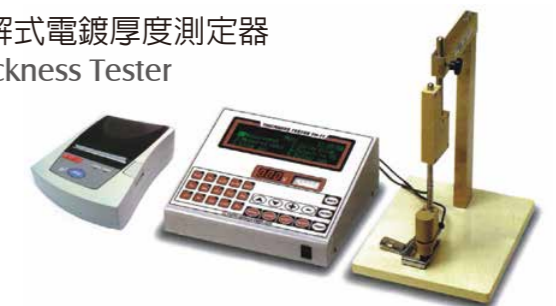
## 設備 Equipment



拉力機  
20 Ton Micro Computer  
Universal Tester



硬度機  
Hardness Tester



電解式電鍍厚度測定器  
Thickness Tester

## 索引 Index

page 03 SEAT BELT

04 PARTS OF SEAT BELT

05-06 RATCHET TIE DOWN

06 CAR LASHING

06 MARIN PARTS

page 07-08 RATCHET BUCKLE

08 TRAILER JACK &amp; WINCH

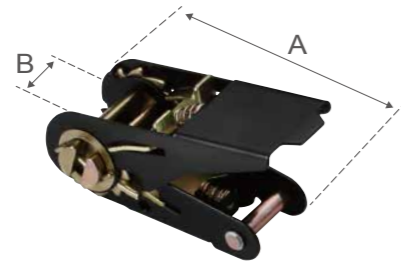
09 CAM BUCKLE

09 OVERCENTER BUCKLE

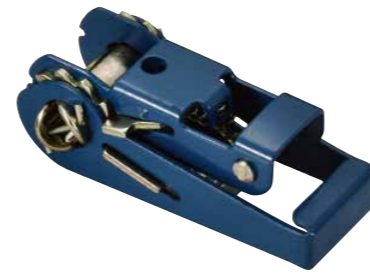
10-13 HOOK

14 SAFETY HOOK

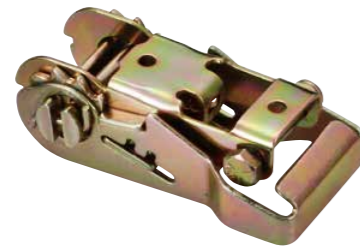
## RATCHET BUCKLE



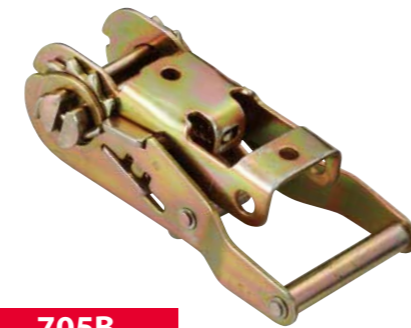
ITEM NO.	<b>701</b>
A (mm)	111
B (mm)	27.9
DESCRIPTION	RATCHET BUCKLE BLACK
MBL(kgs)	700



ITEM NO.	<b>705</b>
A (mm)	116.5
B (mm)	27
DESCRIPTION	RATCHET BUCKLE BLUE
MBL(kgs)	1000



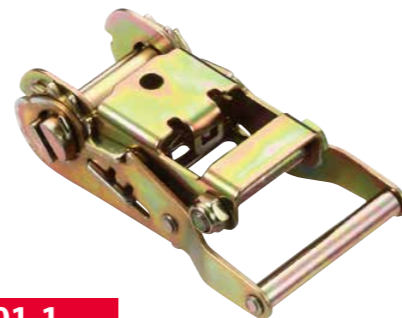
ITEM NO.	<b>705A</b>
A (mm)	119.5
B (mm)	30.5
DESCRIPTION	RATCHET BUCKLE YELLOW ZINC
MBL(kgs)	2000



ITEM NO.	<b>705B</b>
A (mm)	131
B (mm)	30.3
DESCRIPTION	RATCHET BUCKLE YELLOW ZINC
MBL(kgs)	1500

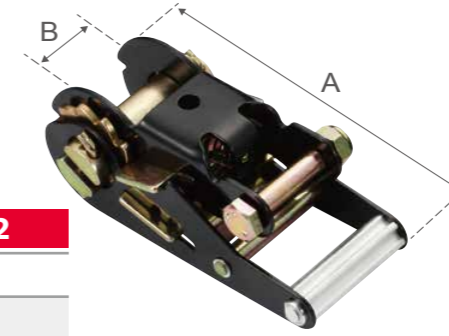


ITEM NO.	<b>801</b>
A (mm)	155
B (mm)	38
DESCRIPTION	RATCHET BUCKLE BLACK
MBL(kgs)	3000

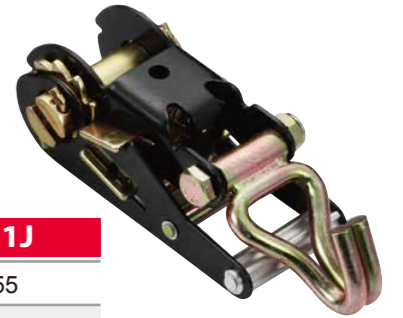


ITEM NO.	<b>801-1</b>
A (mm)	132
B (mm)	40
DESCRIPTION	RATCHET BUCKLE YELLOW ZINC
MBL(kgs)	2000

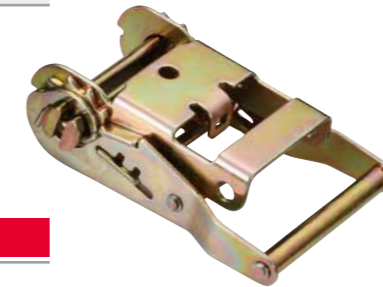
## RATCHET BUCKLE



ITEM NO.	<b>801-2</b>
A (mm)	155
B (mm)	41.5
DESCRIPTION	RATCHET BUCKLE BLACK
MBL(kgs)	3000



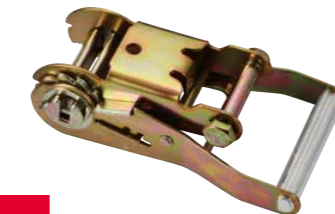
ITEM NO.	<b>801J</b>
A (mm)	155
B (mm)	38
DESCRIPTION	RATCHET BUCKLE WITH J HOOK BLACK
MBL(kgs)	2000



ITEM NO.	<b>606S</b>
A (mm)	132
B (mm)	54
DESCRIPTION	RATCHET BUCKLE YELLOW ZINC
MBL(kgs)	2000



ITEM NO.	<b>606A</b>
A (mm)	200
B (mm)	54.5
DESCRIPTION	RATCHET BUCKLE BLACK
MBL(kgs)	3000-5000



ITEM NO.	<b>606B</b>
A (mm)	200
B (mm)	54.5
DESCRIPTION	RATCHET BUCKLE YELLOW ZINC
MBL(kgs)	6000



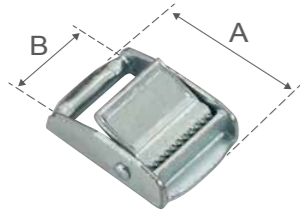
ITEM NO.	<b>707</b>
A (mm)	360
B (mm)	77
DESCRIPTION	RATCHET BUCKLE YELLOW ZINC
MBL(kgs)	9000

## TRAILER JACK & WINCH



ITEM NO.	<b>TJW-01</b>
DESCRIPTION	TRAILER JACK & WINCH , BALL 1.78", TONGUE 2"
MBL(kgs)	900

## CAM BUCKLE



ITEM NO.	<b>911</b>
A (mm)	44
B (mm)	30
DESCRIPTION	CAM BUCKLE WHITE ZINC
MBL(kgs)	250



ITEM NO.	<b>911-1</b>
A (mm)	51.4
B (mm)	32
DESCRIPTION	CAM BUCKLE WHITE ZINC
MBL(kgs)	450



ITEM NO.	<b>502</b>
A (mm)	64.3
B (mm)	34.7
DESCRIPTION	CAM BUCKLE YELLOW ZINC
MBL(kgs)	650



ITEM NO.	<b>503</b>
A (mm)	60.1
B (mm)	49.8
DESCRIPTION	CAM BUCKLE WHITE ZINC
MBL(kgs)	800

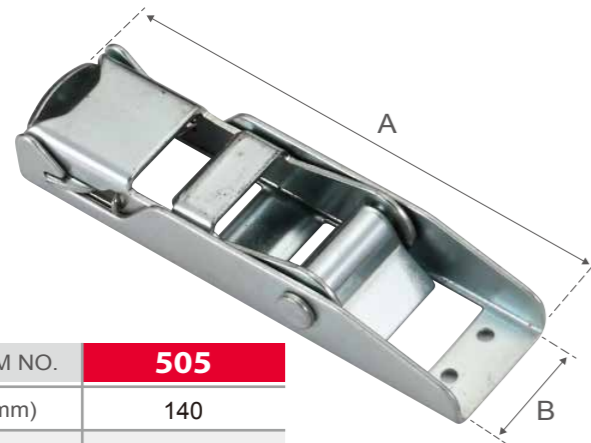


ITEM NO.	<b>503-1</b>
A (mm)	73.5
B (mm)	45.6
DESCRIPTION	CAM BUCKLE YELLOW ZINC
MBL(kgs)	800



ITEM NO.	<b>504</b>
A (mm)	77.3
B (mm)	61.5
DESCRIPTION	CAM BUCKLE WHITE ZINC
MBL(kgs)	800

## OVERCENTER BUCKLE

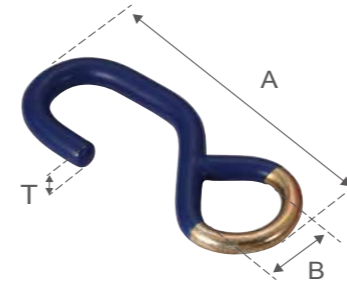


ITEM NO.	<b>505</b>
A (mm)	140
B (mm)	42
DESCRIPTION	OVERCENTER BUCKLE WHITE ZINC
MBL(kgs)	2000



ITEM NO.	<b>506</b>
A (mm)	141
B (mm)	66.3
DESCRIPTION	OVERCENTER BUCKLE YELLOW ZINC
MBL(kgs)	5000

## HOOK



ITEM NO.	<b>751</b>
T (mm)	7
A (mm)	106
B (mm)	24.5
DESCRIPTION	S HOOK PVC
MBL(kgs)	500



ITEM NO.	<b>764S</b>
T (mm)	7
A (mm)	103
B (mm)	23.5
DESCRIPTION	S HOOK PE
MBL(kgs)	500



ITEM NO.	<b>765S</b>
T (mm)	8
A (mm)	105
B (mm)	22
DESCRIPTION	S HOOK PE
MBL(kgs)	900



ITEM NO.	<b>766S</b>
T (mm)	9.5
A (mm)	118
B (mm)	24
DESCRIPTION	S HOOK PE
MBL(kgs)	900



ITEM NO.	<b>768S</b>
T (mm)	10.5
A (mm)	122
B (mm)	23.7
DESCRIPTION	S HOOK PE
MBL(kgs)	1500



ITEM NO.	<b>860J</b>
T (mm)	12
A (mm)	122
B (mm)	26.5
DESCRIPTION	S HOOK BLACK
MBL(kgs)	2000



ITEM NO.	<b>651</b>
T (mm)	11
A (mm)	86
B (mm)	51
DESCRIPTION	J HOOK BLACK
MBL(kgs)	5000



ITEM NO.	<b>651-1</b>
T (mm)	13
A (mm)	100
B (mm)	51
DESCRIPTION	J HOOK PE
MBL(kgs)	6000



ITEM NO.	<b>851</b>
T (mm)	9
A (mm)	74.5
B (mm)	32
DESCRIPTION	J HOOK YELLOW ZINC
MBL(kgs)	3000